



KORATHERM[®] HORIZONTAL KORATHERM[®] HORIZONTAL - M



KORATHERM flat panel radiators – extension of the product range
allowing for their use in more areas





KORATHERM® HORIZONTAL, HORIZONTAL - M

Description

KORATHERM flat panel radiators are designed for double-pipe heating systems with forced circulation of the heat-carrying agent. The new types 23, 44 and 46 extend the product range of KORATHERM HORIZONTAL and KORATHERM HORIZONTAL - M models and thus allow for their use in more areas. All of these radiators are supplied with an upper covering grille and can only be fixed to the floor with the aid of special stand brackets.

Closed steel profiles are used for the heating elements with a rectangular cross-section of 70 x 11 mm, dividing and collector profiles have a cross-section in the shape of the letter "D" with dimensions of 40 x 30 mm. Heating profiles are aligned horizontally. The types are supplemented with an additional convector fin with a depth of 45 mm.

Connection of the **KORATHERM HORIZONTAL** model to the heating system is **bottom from the bottom down** and its connecting pitch is dependent on the length of the radiator L. Types K23H, K44H and K46H are manufactured up to a maximum length of 3000 mm.

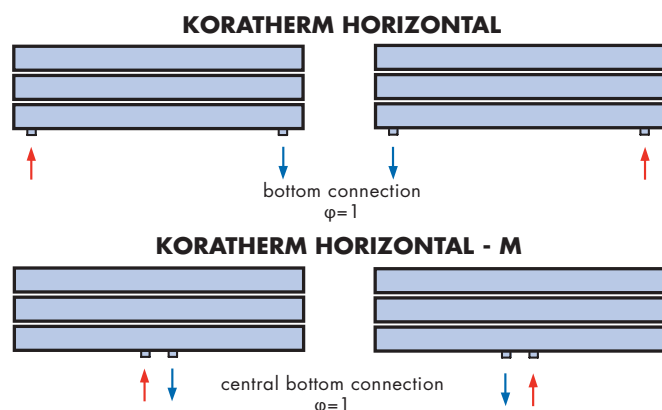
Connection of the **KORATHERM HORIZONTAL - M** model to the heating system is **bottom middle** with a connecting pitch of 50 mm. Types K23HM, K44HM and K46HM are manufactured up to a maximum length of 2000 mm.

Technical data

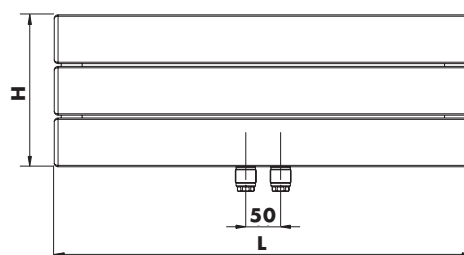
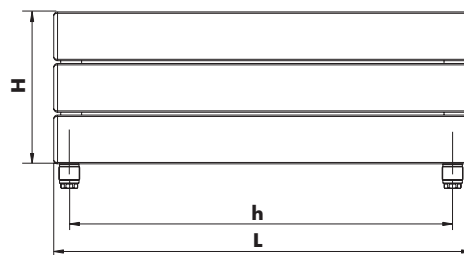
Height H	144, 218 mm
Length L*	500, 600, 700, 800, 900, 1000, 1100, 1200, 1400, 1600, 1800, 2000, 2300, 2600, 3000 mm
Depth B	
Type 23	162 mm
Type 44	250 mm
Type 46	330 mm
Connecting pitch (KH)	L - 50 mm
Connecting pitch (KHM)	50 mm
Connecting thread	2 x G1/2 inside
Highest allowed working pressure	4 bar
Test pressure	5,2 bar
Highest allowed working temperature	110 °C
Basic paint	KTL
Surface paint	white RAL 9016
Guarantee period	5 years

* The **KORATHERM HORIZONTAL - M** model is supplied up to a length of L = 2000 mm.

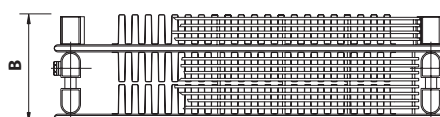
Examples of connection to the heating system



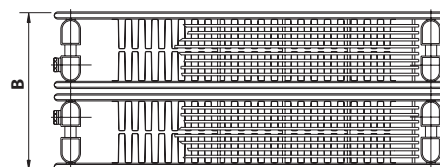
Overview of Types



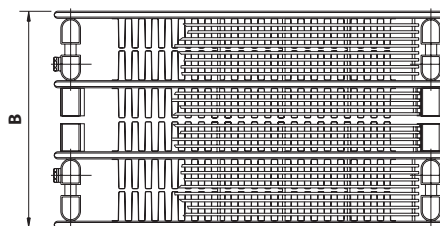
Type 23



Type 44



Type 46



Basic equipment

Types 44 and 46 are made up of two parts, connected together by two connection elements, which are delivered as standard. Completion is performed directly at the installation location, which significantly simplifies handling of these radiators.

All types are supplied including protective packaging with the required identification, air vent or blanking plug and covers.

Uniform packaging is made up of corrugated cardboard, protective plastic corners and shrink wrap. The packaging can be left on during fitting of the radiator, thus allowing for its protection when building work is still underway.

Stand brackets must be ordered separately, they are not delivered as standard.

The company reserves the right to make technical changes.



KORATHERM[®] HORIZONTAL, HORIZONTAL - M

Heat outputs and technical parameters

20 °C			Type					
			K23H	K44H	K46H	K23HM	K44HM	K46HM
Height H [mm]			144			218		
Number of profiles ↑ [pcs]			2			3		
Length L [mm]	Conn. pitch h [mm]	t ₁ /t ₂ [°C]	Heat output Q [W]					
			500	450 50	90/70 70/55 55/45	358 236 156	613 405 267	720 477 315
600	550 50	90/70 70/55 55/45	429 283 187	736 485 320	864 572 378	640 422 278	1049 687 449	1265 834 549
700	650 50	90/70 70/55 55/45	501 331 218	858 566 373	1008 667 441	746 493 325	1224 801 524	1476 973 640
800	750 50	90/70 70/55 55/45	572 378 249	981 647 427	1152 763 504	853 563 371	1398 916 599	1687 1112 732
900	850 50	90/70 70/55 55/45	644 425 280	1103 728 480	1296 858 567	960 634 418	1573 1030 674	1898 1251 823
1000	950 50	90/70 70/55 55/45	715 472 312	1226 809 533	1440 953 630	1066 704 464	1748 1145 749	2108 1390 915
1100	1050 50	90/70 70/55 55/45	787 520 343	1348 890 587	1584 1048 693	1173 774 510	1923 1259 824	2319 1529 1006
1200	1150 50	90/70 70/55 55/45	858 567 374	1471 971 640	1728 1144 756	1280 845 557	2098 1374 899	2530 1668 1098
1400	1350 50	90/70 70/55 55/45	1001 661 436	1716 1133 747	2016 1334 882	1493 986 650	2447 1603 1048	2952 1946 1281
1600	1550 50	90/70 70/55 55/45	1144 756 499	1961 1295 853	2304 1525 1008	1706 1126 742	2797 1832 1198	3373 2224 1464
1800	1750 50	90/70 70/55 55/45	1287 850 561	2207 1456 960	2592 1716 1134	1920 1267 835	3146 2061 1348	3795 2502 1647
2000	1950 50	90/70 70/55 55/45	1431 945 623	2452 1618 1067	2880 1906 1260	2133 1408 928	3496 2290 1498	4217 2780 1830
2300	2250 50	90/70 70/55 55/45	1645 1087 717	2820 1861 1227	3312 2192 1449	2453 1619 1067	4020 2633 1723	4849 3197 2104
2600	2550 50	90/70 70/55 55/45	1860 1228 810	3187 2104 1387	3744 2478 1638	2773 1830 1206	4545 2977 1947	5482 3614 2379
3000	2950 50	90/70 70/55 55/45	2146 1417 935	3678 2427 1600	4320 2860 1890	3199 2112 1392	5244 3435 2247	6325 4169 2745
Exponent n [-]			1,199	1,201	1,193	1,201	1,223	1,205
Standard heat output [W/m]			579	992	1167	863	1409	1705

The model KORATHERM HORIZONTAL - M is produced up to the length L = 2000 mm.

Water volume

KORATHERM HORIZONTAL
KORATHERM HORIZONTAL - M

Type	K23H, K23HM		K44H, K44HM		K46H, K46HM	
Height H [mm]	144	218	144	218	144	218
Length L [mm]	Water volume V _T [l]					
500	1,6	2,4	3,3	4,9	3,4	5,0
600	1,8	2,7	3,7	5,5	3,8	5,6
700	2,0	3,0	4,1	6,1	4,2	6,2
800	2,2	3,3	4,5	6,8	4,6	6,9
900	2,4	3,6	5,0	7,4	5,1	7,5
1000	2,6	3,9	5,4	8,0	5,5	8,1
1100	2,8	4,3	5,8	8,7	5,9	8,8
1200	3,1	4,6	6,2	9,3	6,3	9,4
1400	3,5	5,2	7,1	10,6	7,2	10,7
1600	3,9	5,9	7,9	11,9	8,0	12,0
1800	4,3	6,5	8,8	13,1	8,9	13,2
2000	4,7	7,1	9,6	14,4	9,7	14,5
2300	5,4	8,1	10,9	16,3	11,0	16,4
2600	6,0	9,0	12,2	18,2	12,3	18,3
3000	6,9	10,3	13,9	20,8	14,0	20,9

The model KORATHERM HORIZONTAL - M is produced up to the length L = 2000 mm.

Radiator weight

KORATHERM HORIZONTAL
KORATHERM HORIZONTAL - M

Type	K23H, K23HM		K44H, K44HM		K46H, K46HM	
Height H [mm]	144	218	144	218	144	218
Length L [mm]	Radiator weight M _r [kg]					
500	8,4	11,5	15,1	20,6	16,5	22,8
600	9,5	13,2	17,1	23,6	18,8	26,3
700	10,7	15,0	19,2	26,8	21,0	29,8
800	11,9	16,8	21,3	29,9	23,4	33,4
900	13,1	18,6	23,4	33,2	25,6	36,9
1000	14,2	20,4	25,4	36,2	28,0	40,5
1100	15,4	22,2	27,5	39,4	30,2	44,0
1200	16,5	23,9	29,5	42,5	32,5	47,5
1400	18,9	27,6	33,7	48,8	37,1	54,6
1600	21,3	31,2	38,0	55,2	41,6	61,7
1800	23,7	34,9	42,2	61,7	46,4	68,9
2000	26,0	38,5	46,4	68,0	51,0	76,0
2300	29,5	43,9	51,9	76,9	57,8	86,5
2600	32,9	49,2	58,0	86,2	64,6	97,2
3000	37,5	56,2	66,0	98,5	73,7	111,3

The model KORATHERM HORIZONTAL - M is produced up to the length L = 2000 mm.

INFORMATION FOR YOUR ORDER

Model	Type	Code
KORATHERM HORIZONTAL	K23H	K 23 H HHHH LLLL - XY N
	K44H	K 44 H HHHH LLLL - XY N
	K46H	K 46 H HHHH LLLL - XY N
KORATHERM HORIZONTAL-M	K23HM	K 23 H HHHH LLLL M XY N
	K44HM	K 44 H HHHH LLLL M XY N
	K46HM	K 46 H HHHH LLLL M XY N

HHHH - Height H in mm

LLLL - Length L in mm

XY - Colour code

Model	Resistance coefficient ξ _r [t]	Flow coefficient A _r [m ²]
K23H	15,5	7,22 x 10 ⁻⁵
K44H, K46H	28,9	5,29 x 10 ⁻⁵
K23HM	105,7	2,76 x 10 ⁻⁵
K44HM, K46HM	46,3	4,18 x 10 ⁻⁵

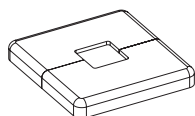


KORATHERM[®] HORIZONTAL, HORIZONTAL - M

Fixing

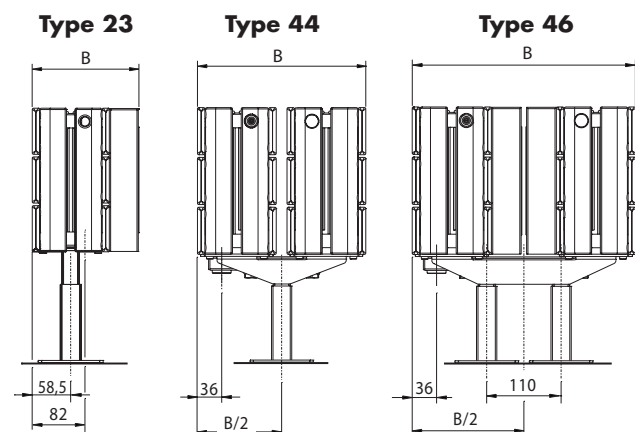
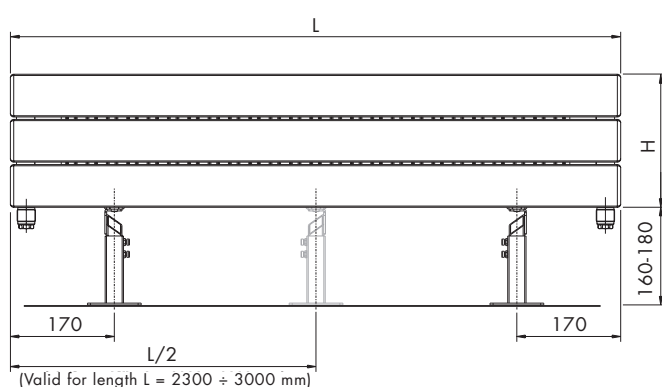
KORATHERM HORIZONTAL and KORATHERM HORIZONTAL - M flat panel radiators, specifically types 23, 44 and 46 can only be fitted to the floor. Installation is performed with the aid of special stand brackets, which must be ordered separately as they are not delivered as standard.

A sectional plastic cover can be ordered to cover the base plate of the stand bracket.



KORATHERM stand bracket cover

Positioning



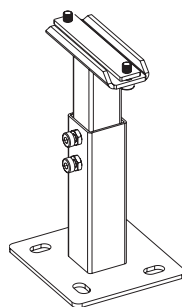
KORATHERM stand bracket

- The set contains one bracket, complete material for fitting and fitting instructions
- Individual parts are coated with white paint as standard
- The maximum vertical load on the bracket is 1000 N

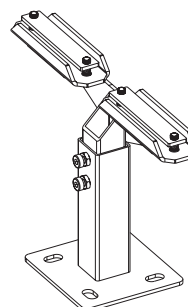
for Type 23

for Type 44

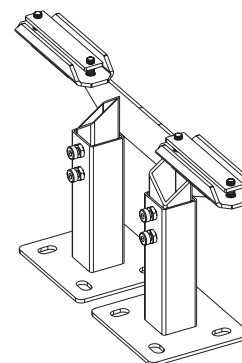
for Type 46



Z-U581-XY



Z-U583-XY



Z-U584-XY

Number of brackets

In order to fit the **KORATHERM HORIZONTAL** model up to a length of $L = 2000$ mm you will need to use two and for lengths of $L = 2300$, 2600 and 3000 mm three stand brackets.

The **KORATHERM HORIZONTAL - M** model is always fitted to the floor with the aid of two stand brackets.

Ordering brackets and accessories

Type	Code
KORATHERM stand bracket for type 23	Z-U581-XY
KORATHERM stand bracket for type 44	Z-U583-XY
KORATHERM stand bracket for type 46	Z-U584-XY
KORATHERM stand bracket cover - white	Z-U582

We offer stand brackets in colours to be found in our colour card.

Position XY indicates the colour code (see colour card).

The basic colour is white RAL 9016, other colours are subject to an additional charge of 20 %.

Location of the brackets

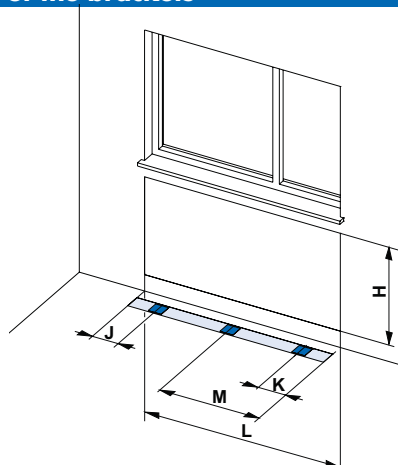


Table of sizes

Type	KORATHERM HORIZONTAL					H [mm]	KORATHERM HORIZONTAL - M		
	L [mm]	500 ÷ 2000	2300	2600	3000		500 ÷ 2000	L [mm]	Type
K23H K44H K46H	J	170	170	170	170	144	170	J	K23HM K44HM K46HM
	K	170	170	170	170		170	K	
	M	-	1150	1300	1500	-	M		
K23H K44H K46H	J	170	170	170	170	218	170	J	K23HM K44HM K46HM
	K	170	170	170	170		170	K	
	M	-	1150	1300	1500	-	M		